



AMF

Microfiber filter for fine filtration
20-2 micron

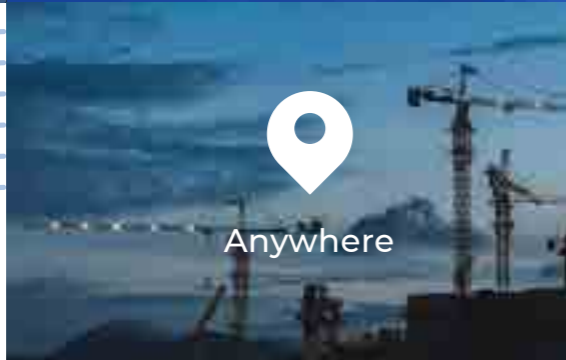
MASTERS OF FILTRATION



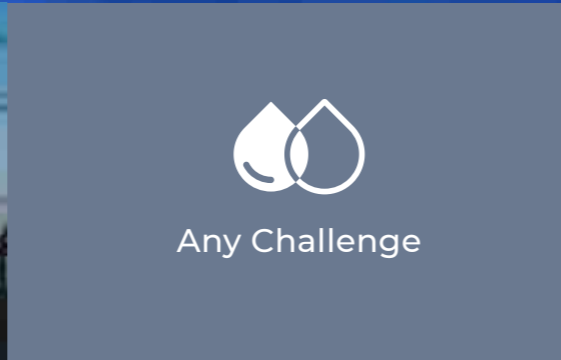
Any Technology



Anywhere



Any Challenge



Any Water Source



Your water challenge.
Our filtration solution.

Amiad Water Systems is a world leader in water treatment and filtration solutions. For over 57 years Amiad has devoted its passion and commitment to developing a comprehensive line of water filtration systems for a wide range of industrial applications.

Our solutions are integrated into the core of water filtration systems in the following industries and applications: metal, plastic, energy, chemical, water treatment and salt water disposal.

We develop filters that are able to cope with any water quality, in any geographical location.

We've spent years mastering filtration technology so we can offer a wide range of filters for every industrial need, including screen, disc, microfiber or media technology.



Disc Technology



Screen Technology



Media Technology



Microfiber Technology

We consider every challenge as an opportunity to work side by side with our customers to solve their problems.

We'll go anywhere to ensure our filters perform as expected, 24/7, every day of the year.

When you want a high-performance solution for your water filtration system, consult with Amiad. We focus on doing what we do best.

Amiad. Masters of Filtration.

AMF: Efficient fine filtration


AMF FEATURES



Filtration degrees of
20 to 2 micron



NF/RO protection





NSF 61-G approved



AMF Parts



Scan to watch the
AMF Operation Video

Technical Specifications

Filter Model	AMF 36K	AMF 93K	AMF-S 370K
General data			
Recommended flow rate*	up to 20 m ³ /h (88 gpm)	up to 50 m ³ /h (220 gpm)	up to 200 m ³ /h (880 gpm)
Inlet/Outlet diameter	2" (50 mm)	4" (100 mm)	6" or 8" (150 or 200 mm)
Standard filtration degrees	20, 10, 7, 3, 2 micron		
Min. working pressure	0.5 bar (7 psi)		
Max. working pressure	10 bar (145 psi)		
Working temperature range	4 - 40°C (39-104°F)		
Compressed air supply ** (for pneumatic valves)	Clean and dry instrument air, 80-120 psi / 5.5-8.0 bar 8.5 CFM at 90 psi / 4 l/s at 6.0 bar (for one AMF-S 370K, depends on type of pneumatic actuator)		
Weight (empty)	480 kg (1,058 lb)	650 kg (1,433 lb)	2,450 kg (5,400 lb)

* Depending on water quality and application - selection to be qualified by Amiad.

** Motorized valves are available upon request.

Flushing data			
Flushing flow rate	6 m ³ /h (26 gpm)	6 m ³ /h (26 gpm)	20 m ³ /h (88 gpm)
Reject water volume per flush cycle	0.5 - 0.7 m ³ (132 - 185 gallon)	1.1 - 1.5 m ³ (290 - 396 gallon)	3.5 - 5 m ³ (925 - 1,320 gallon)
Flushing sequence time	Approximately 10 minutes including drainage and filling time		
Exhaust valve	50 mm 2"	80 mm 3"	100 mm 4"
Flushing criteria	Differential pressure, time interval and manual operation		

Filter Element Data			
Filtration area	35,580 cm ² (5,515 in ²)	92,500 cm ² (14,340 in ²)	370,000 cm ² (57,350 in ²)

Electronic control	
Rated operation voltage	3 phase, 220-480 VAC, 50/60 Hz
Control voltage	24 V AC/DC

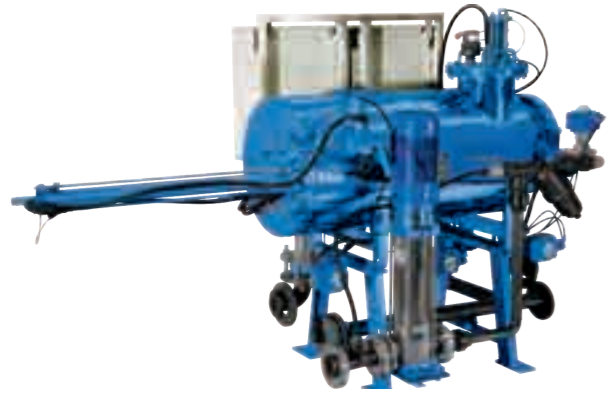
Construction materials*	
Filter housing and covers	Epoxy coated carbon steel
Cassettes	Polyester thread on Noryl® molded base
Cassette package	PVC, stainless steel
Pistons	UHMWPE, stainless steel, nylon, PTFE
Seals	Nitrile rubber (NBR), EPDM
Pressure hoses	Rubber
Bolts, nuts, washers	Stainless steel
Pneumatic valves	Cast iron, EPDM, brass, stainless steel
Solenoid valves	Aluminum (pneumatic control of valves), brass (hydraulic control of pistons)

* Amiad offers a variety of construction materials. Please contact us for specifications.

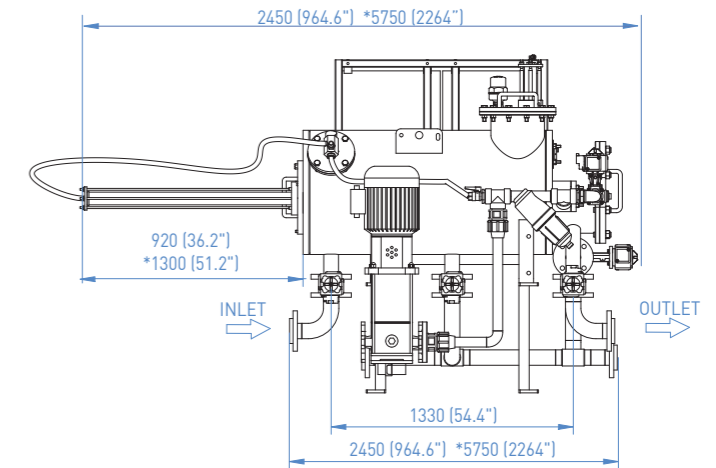
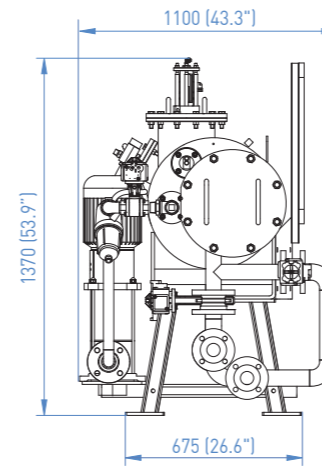
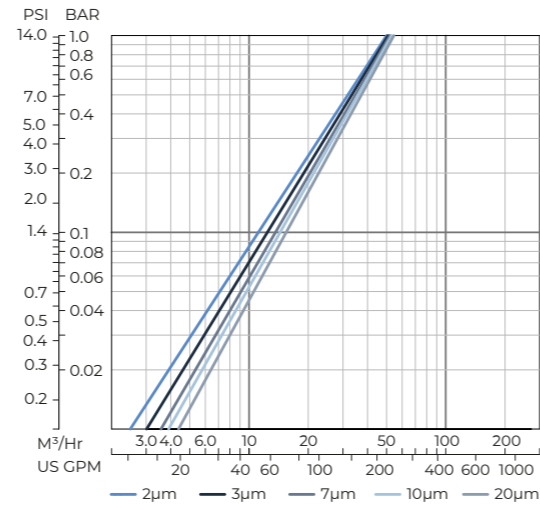
AMF Models



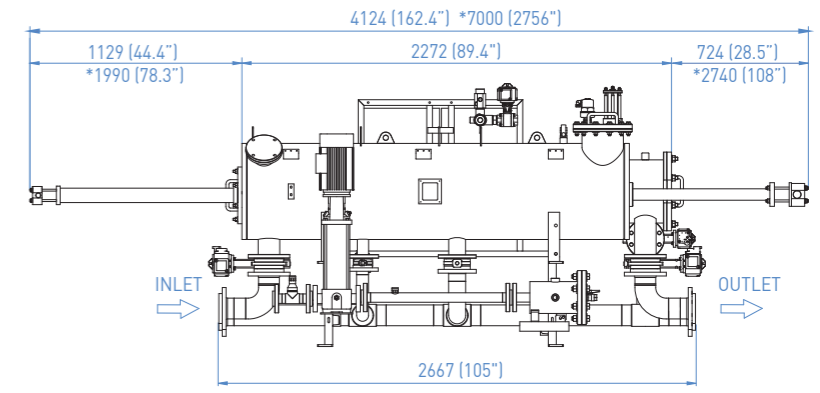
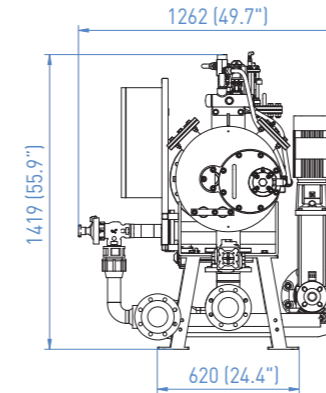
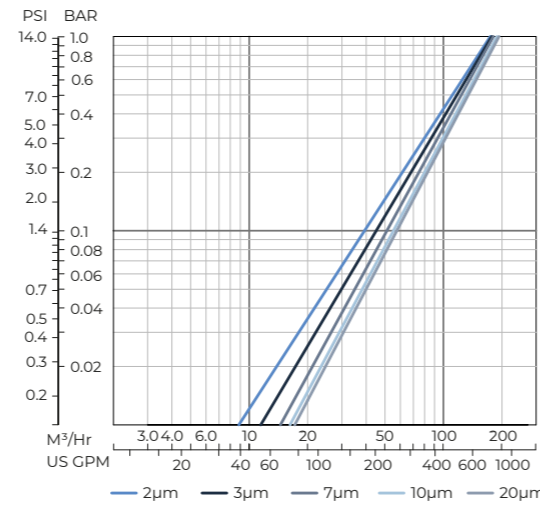
AMF 36K



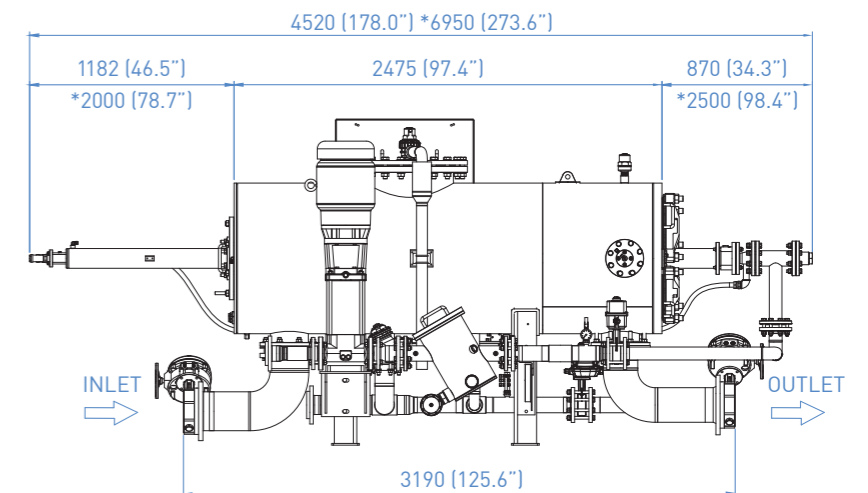
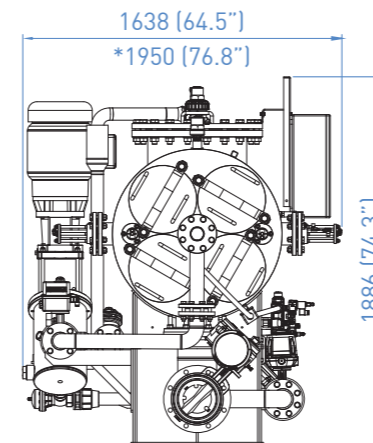
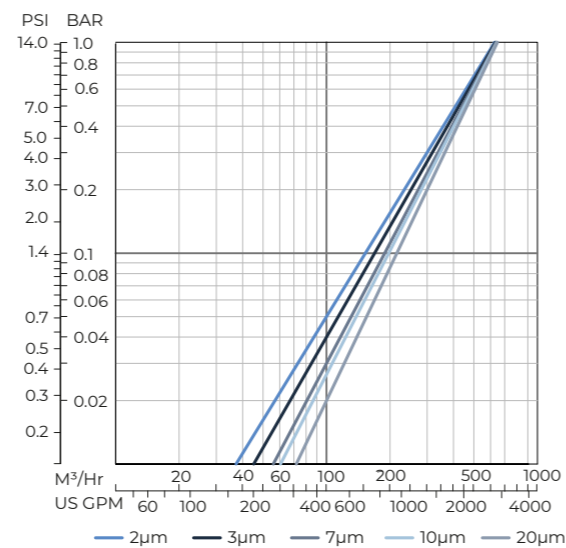
Head Loss Graph (in clean water)



AMF 93K



AMF-S 370K



*Approx. length required for maintenance
mm (inch)



Headquarters

Amiad Water Systems Ltd.

Web: www.amiad.com

E-mail: info@amiad.com

The Americas

USA

Amiad USA Inc.

Web: us.amiad.com | E-mail: infousa@amiad.com

Mexico

Amiad México SA DE CV,

Web: es.amiad.com | E-mail: infomexico@amiad.com

Asia

India

Amiad Filtration India Pvt Limited

Web: amiad.com | E-mail: info-india@amiad.com

China

Amiad China (Yixing Taixing Environtec Co., Ltd.)

Web: amiad.com.cn | E-mail: infochina@amiad.com

South-East Asia

Filtration & Control Systems Pte. Ltd.

Web: amiad.com | E-mail: info-singapore@amiad.com

Australia

Amiad Australia Pty Ltd.

Web: au.amiad.com | E-mail: sales@amiad.com

Europe

Amiad Water Systems Europe SAS

Web: amiad.com | E-mail: industry-europe@amiad.com

Distributor in The Netherlands

Dutch Filtration BV.

E-mail: info@dutchfiltration.com

Tel: +31 75 201 4000

www.dutchfiltration.com/nl

Vrijheidweg 61



 **amiad** INDUSTRY

MASTERS OF FILTRATION

www.amiad.com

910101-000192/10.2021

Copyright © 2019 Amiad Water Systems Ltd. All rights reserved. The contents of this catalogue including without limitation all information and materials, images, illustrations, designs, icons, photographs, graphical presentations, designs, literary works, data, drawings, slogans, phrases, names, trademarks, titles and any other such materials that appear in this catalogue (collectively, the "Contents") are the sole property of Amiad Water Systems Ltd. ("Amiad"). Amiad has sole and exclusive right, title and interest in the Contents, including any intellectual property rights, whether registered or not, and all know-how contained or embodied therein. You may not reproduce, publish, transmit, distribute, display, modify, create derivative works from, sell or participate in any sale of, or exploit in any way, in whole or in part, any of the Contents or the catalogue. Any use of the catalogue or the Contents, other than for personal use, requires the advanced written permission of Amiad.

The Bluetooth® word mark and logos are registered trademarks owned by the Bluetooth SIG, Inc. and any use of such marks by Amiad Water Systems is under license. Other trademarks and trade names are those of their respective owners.

For more details about our patents go to: www.amiad.com